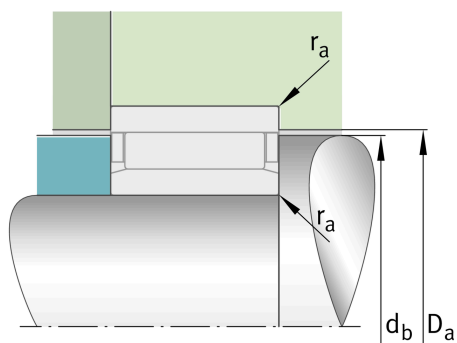
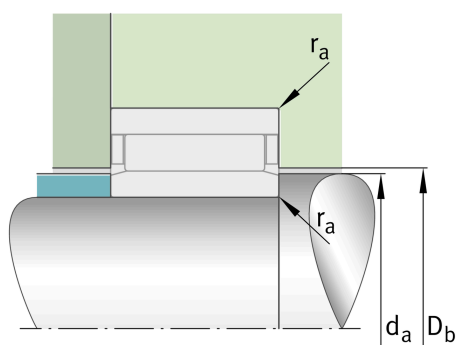
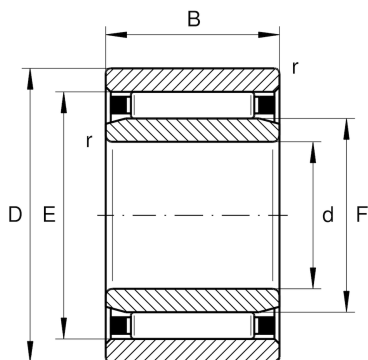
**NAO35X50X17**

Radial roller bearing

Schaeffler ID:  
0000107660000

Radial roller bearing NAO

## Technical information

**Main Dimensions & Performance Data**

|                       |              |                                       |
|-----------------------|--------------|---------------------------------------|
| d                     | 35 mm        | Bore diameter                         |
| D                     | 50 mm        | Outside diameter                      |
| B                     | 17 mm        | Width                                 |
| C <sub>r</sub>        | 21,400 N     | Basic dynamic load rating, radial     |
| C <sub>0r</sub>       | 41,500 N     | Basic static load rating, radial      |
| C <sub>ur</sub>       | 5,300 N      | Fatigue load limit, radial            |
| n <sub>G</sub>        | 11,500 1/min | Limiting speed                        |
| n <sub>G Grease</sub> | 6,900 1/min  | Limiting speed for grease lubrication |
| n <sub>gr</sub>       | 6,500 1/min  | Reference speed                       |
|                       | 104.2 g      | Weight                                |

**Dimensions**

|                  |        |                             |
|------------------|--------|-----------------------------|
| r <sub>min</sub> | 0.3 mm | Minimum chamfer dimension   |
| E                | 45 mm  | Raceway diameter outer ring |
| F                | 40 mm  | Raceway diameter inner ring |
| s                | 0.8 mm | Axial displacement          |

**Mounting dimensions**

|                    |         |   |
|--------------------|---------|---|
| r <sub>a max</sub> | 0.3 mm  | Maximum recess radius                       |
| d <sub>a</sub>     | 39.5 mm | Mounting dimension                          |
| d <sub>b</sub>     | 44.4 mm | Shoulder diameter axial guidance NK/shaft   |
| D <sub>a</sub>     | 45.5 mm | Shoulder diameter outer ring                |
| D <sub>b</sub>     | 40.6 mm | Shoulder diameter axial guidance NK/housing |

**Temperature range**

|                  |        |                            |
|------------------|--------|----------------------------|
| T <sub>min</sub> | -30 °C | Operating temperature min. |
| T <sub>max</sub> | 120 °C | Operating temperature max. |

